

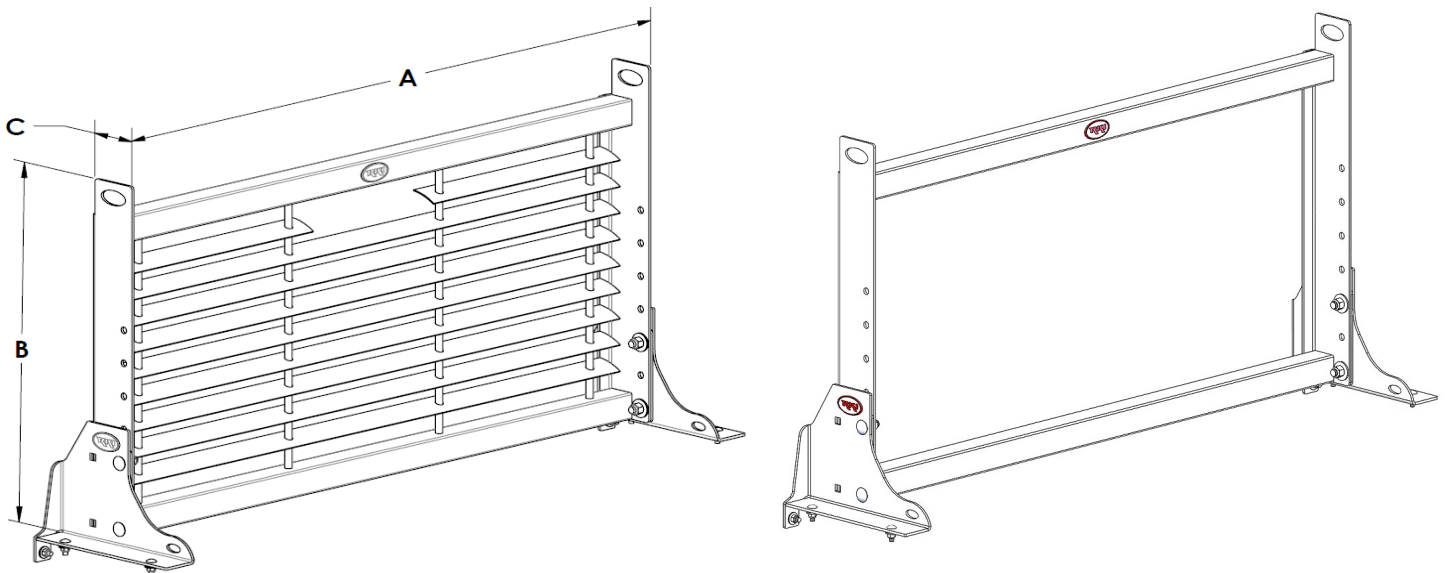


Specifications

MODEL	Load Area Width	A Length	B Height	C Depth	Approx Weight	Application
<b>STEEL - LOUVERED MODELS</b>						
WG40	40"	39-1/2"	17" - 27"	3-3/4"	60 lbs	RKI 40" LA
WG49	48½" - 49"	48-1/4"	17" - 27"	3-3/4"	66 lbs	RKI 49" LA, Knapheide/Reading 48½" LA
WG50	50"	49-1/2"	17" - 27"	3-3/4"	67 lbs	RKI 50" LA
WG51	51"	50-1/2"	17" - 27"	3-3/4"	67 lbs	RKI 51" LA
WG54	54"	53-1/2"	17" - 27"	3-3/4"	69 lbs	RKI 54" LA
WG60	60"	59-1/2"	17" - 27"	3-3/4"	73 lbs	RKI 60" LA
WG65	65"	64-1/2"	17" - 27"	3-3/4"	77 lbs	RKI 65" LA
<b>STEEL - NO LOUVERED MODELS</b>						
WG49 NL	48½" - 49"	48-1/4"	17" - 27"	3-3/4"	66 lbs	RKI 49" LA, Knapheide/Reading 48½" LA
WG51 NL	51"	50-1/2"	17" - 27"	3-3/4"	67 lbs	RKI 51" LA
WG54 NL	54"	53-1/2"	17" - 27"	3-3/4"	69 lbs	RKI 54" LA

Description and Features:

- RKI Window Grilles protect your rear window from accidental breakage and protect your truck's interior from sun damage, while allowing unobstructed visibility.
- RKI Window Grilles are steel built and powder coated to provide years of dependable service.
- Engineered to work with all RKI service bodies, including different left/right combinations, like an ST5680.
- WG49 also applicable on Knapheide and Reading 48½" load area service bodies
- Vertical adjustment on both sides of 10" on 2½" increments to fit Chevy, Ford, GMC, and Ram Trucks.
- Additional forward mounting holes for positioning the grille over bulkhead creating a clear load area.
- Convenient tie downs integrated at the top and bottom to aid in securing cargo.
- Rear cutout for stop light visibility.
- Available in black powder coat finish - just add a "B" after the numbers in the model (e.g. WG49B, WG51B NL).



"A", "B", and "C" dimensions are without mounting brackets.

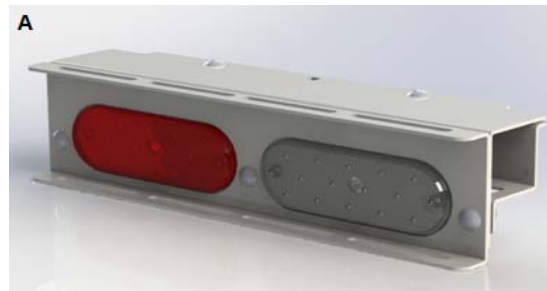


\* Window Grille shown with Light Kit and Optional round strobe mount.

LIGHT KIT FOR WINDOW GRILLES		
Item	Part Number	Description
A	BWGLITEMNT	LED LIGHT KIT FOR WINDOW GRILLES (PAIR)
B	BWGLITEMNTB	BLACK LED LIGHT KIT FOR BLACK WINDOW GRILLES (PAIR)

**Features**

- Provides greater visibility to surrounding traffic especially with cargo in tow
- Standard LED lights provide high visibility while consuming less power
- Easy installation "Bolt On" design
- Incorporated light guard offers protection to the LED lights from cargo
- Compatible with all RKI Window Grilles
- Available in durable white or black powder coat finish - White standard, For Black just add a "B" to the end of the model number
- Accessory bracket available to mount strobe lights directly on top of light bracket for uniform look





**IMPROVED STROBE LIGHT MOUNTS**

Part Numbers*	Strobe Light Type	Application
<b>STEEL</b>		
BSTRBMNTRCT	Rectangular	Mounted on 2x2 Crossbar
BSTRBMNTRND	Round	
BSTRBRCTWG	Rectangular	Mounted on LED light kit (BWGLITEMNT)
BSTRBRNDWG	Round	

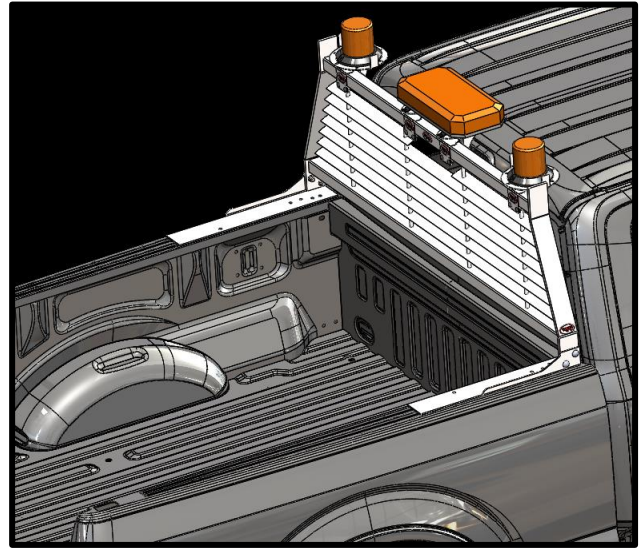
\*All Strobe Mounts are available in a black powdercoat finish - just add a "B" to the end of the part number.

**Features**

- Easy, reliable bolt-on mounting for strobe lights.
- No more drilling holes. No unreliable magnets.
- Compatible with most round or rectangular lights.
- Fits all RKI window grilles.
- 12 and 14 gauge galvaneal construction.
- Super durable polyester powder coat finish.
- RKI standard lifetime warranty.

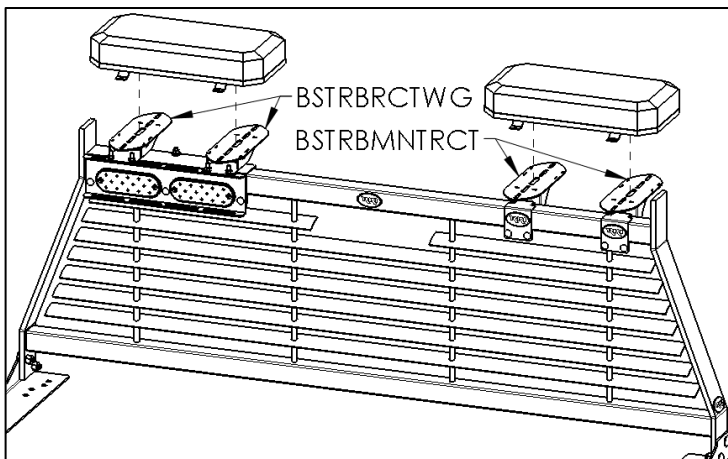
**New Features**

- Now offset towards front of truck for additional clearance of Cross boxes.
- Now includes gaskets for protection barrier between painted surfaces.



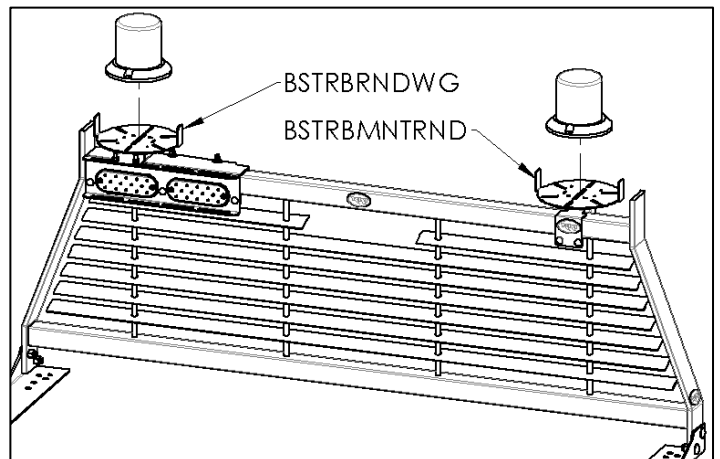
**RECTANGULAR STROBE MOUNTS**

- Separate mounts for any length light bar.
- Slots allow for wide range of light widths up to 10¼" span.
- Pair of brackets included.



**ROUND STROBE MOUNT**

- Variety of bolt patterns for a wide range of lights up to 7½" diameter.
- Easy wire management.
- Use multiple mounts for creating light arrays.



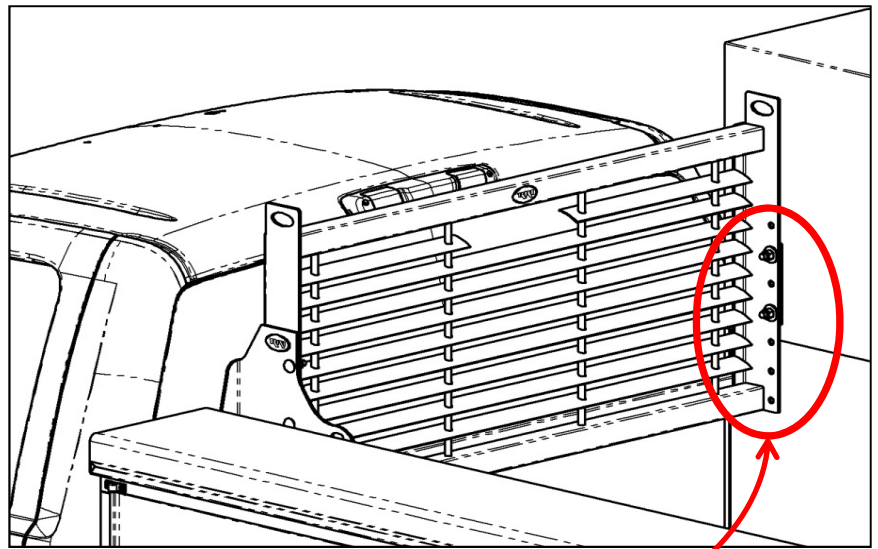
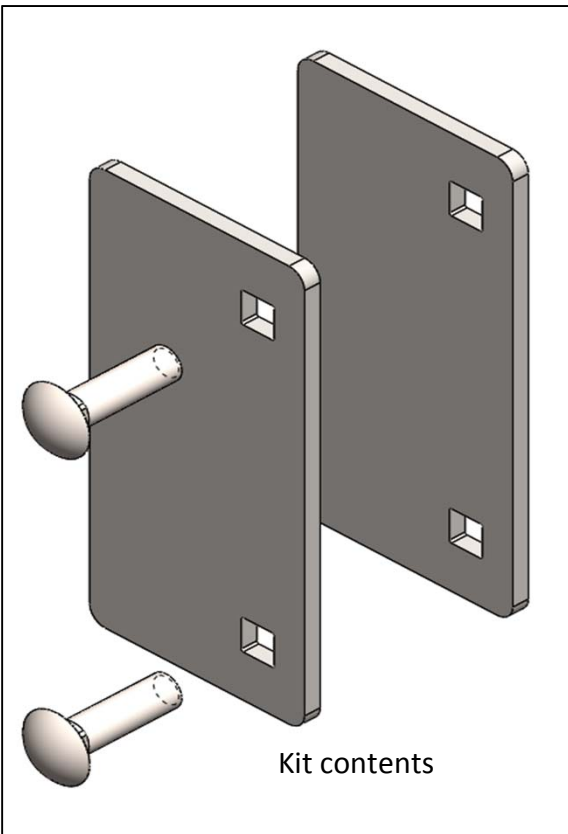


**NEW WINDOW GRILLE ADAPTER KIT FOR RAISED FRONT EQUIPPED SERVICE BODIES**

**Features**

- Adapts WG49, WG50, WG51, WG54, WG60 and WG65 for installation on bodies with the raised front compartment option.
- Requires one kit per raised front. (Raised front on street and curb side requires 2 kits)
- Powder coated white kit is WGBKRFC.
- Powder coated black kit is WGBKRFCB.

**Supplemental Kit**



Installation location

From window grille mounting kit

